



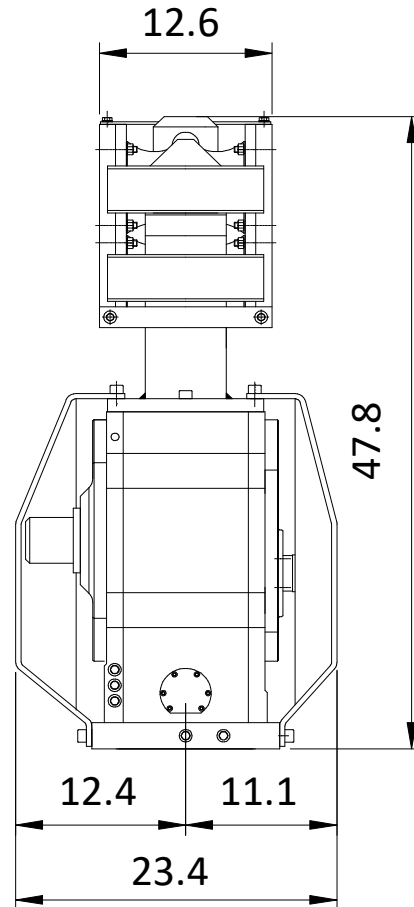
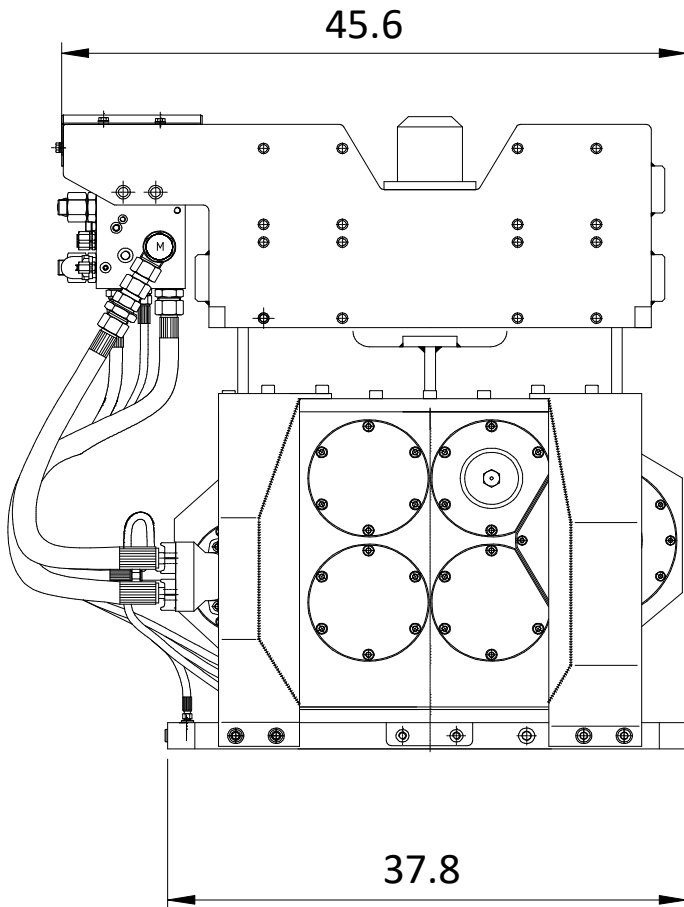
Specifications

PVE 8VMA

Vibro Hammer

USA

Dimensions in inches



Specifications

PVE 8VMA

Eccentric moment	0-651 in-lbs	Clamps:	
Max. centrifugal force	0-49 ton	Sheet pile clamp	60TU
Max. frequency	2,300 rpm	Transport weight per piece	551 lbs
Max. amplitude excluding 60TU	0.6 in	Double clamps	N/A
Max. amplitude including 60TU	0.48 in	Transport weight per piece	N/A lbs
Max. static line-pull	12 ton		
Max. operating pressure	5,076 psi	Powerpack:	
Max. oil flow	49 gal/min	Model	N/A
Forced lubrication	yes		
Dynamic weight excluding 60TU	2,172 lbs	Hose set:	
Dynamic weight including 60TU	2,723 lbs	Length	N/A ft
Total weight excluding 60TU & hoses	3,340 lbs	Transport weight (±)	N/A lbs